

IMPORTANT – PLEASE READ BEFORE ORDERING PARTS

To make repairs easier for you, ATD Tools, Inc. has developed a new modular design for the Saber Li-Ion lights. Making this change has caused the ATD80133, ATD80136 & ATD80139 to have new replacement part numbers.

Both sets of instructions are included here.

When ordering parts, to ensure that you are getting them the right part, please check to see if the light you have the first or the second generation version of the Saber Light.

The first generation Saber Light says “Saber Li-Ion” on the handle, and there is no screw through the handle.

The second generation Saber Light says “Saber” on the handle and there is a screw through the handle near the bottom side of the logos oval.

This will make a difference in which parts you order.

First Generation Logo and Handle:



Second Generation Logo and Handle:





ATD-80136 Instructions (First Generation)

**This light must be fully
charged every 3 to 4 months
whether used or not**

Features and Specifications

- 7.4V 1400MAh Li-ion rechargeable battery - twice the life expectancy compared to regular rechargeable batteries.
- Cordless, 60 super bright LED's provide long, dependable service life.
- Shatterproof and shock resistant protective tube.
- Swivel hooks make this light easy to attach anywhere - horizontally or vertically.
- The ATD-80136 Saber Li-Ion Worklight provides an average runtime of 3 hours per charge.
- 9V 500mA AC to DC adaptor can be used with 110VAC power source.
- **OPTIONAL** DC adaptor (ATD-80131) can be used with your vehicles 12V power outlet.
- Red light on adaptor (indicates charging), green light on adaptor (indicated fully charged), blue light on led board (indicates low battery).
- Overcharge and over discharge protection.
- Automatically shuts off soon after low battery indicator lights up.

Charging Instructions

The battery is only 50% charged before shipping. Fully charge your ATD Saber Worklight before use.

Be sure your ATD Saber Li-Ion Worklight is turned off, as it will not charge while in use, and then plug the AC charging unit into the wall and into the bottom of your ATD Saber Li-Ion Worklight. The LED indicator on the wall charging unit will change from red to green when the ATD Saber Li-Ion Worklight is fully charged.

The blue indicator light on the LED board will come on when the battery is almost discharged, giving you a few minutes of light left before the light goes completely out. It will not fade out, it will simply turn off.

The ATD Saber Li-Ion Worklight will need to be recharged when the blue indicator light on the LED board comes on. Charging time for a full charge is approx 3 hours. Be sure to only use the AC adaptor (supplied) or the DC adaptor (optional) with the light. Use of any other 110VAC or 12VDC adaptor can cause battery damage.

The ATD Saber Li-Ion Worklight needs to be fully charged at least every 6 months to maintain the performance of battery.

Operating Environment

- The ambient temperature range for working is 14°F-122°F (-10°C-50°C). The ambient temperature range for charging is 32°F-104°F (0°C-40°C). Charging the battery at a lower or higher temperature range will damage the battery.
- Keep your ATD Saber Li-Ion Worklight away from heat sources.
- Keep your ATD Saber Li-Ion Worklight away from acids and alkalines.
- Avoid bumping or dropping your ATD Saber Li-Ion Worklight

LED board replacement instructions

- When repairing your ATD Saber Li-Ion Worklight, do not allow any metal to come in contact with the internal battery pack or the PC board and its components.
- Turn the ATD Saber Li-Ion Worklight off.
- Remove end cap (2) from end of tube (3) using care not to crack the tube (3).
- Pull the LED PC board (8) from top of the tube (3).
- Disconnect the wiring connector from the LED PC board, and reconnect it to a new PC board (8).
- Carefully slide the PC board assembly (8) back into clear tube (3) and replace the end cap (2).

The ATD Saber Li-Ion Worklight is **NOT** waterproof, and is **NOT** intended to be used in showers, saunas, or any other potentially wet locations. Keep the ATD Saber Li-Ion Worklight away from sinks, tubs, showers, etc. Retrieving **ANY** electrical appliance when they fall into the water can be fatal.

The ATD Saber Li-Ion Worklight is to be used for general indoor lighting. It is **NOT** intended to be used in potentially hazardous locations such as near flammables or in explosive atmospheres.

Your ATD Saber Li-Ion Worklight has a built in automatic discharge shut off feature that prevents the battery from becoming fully discharged, thus extending the battery life.

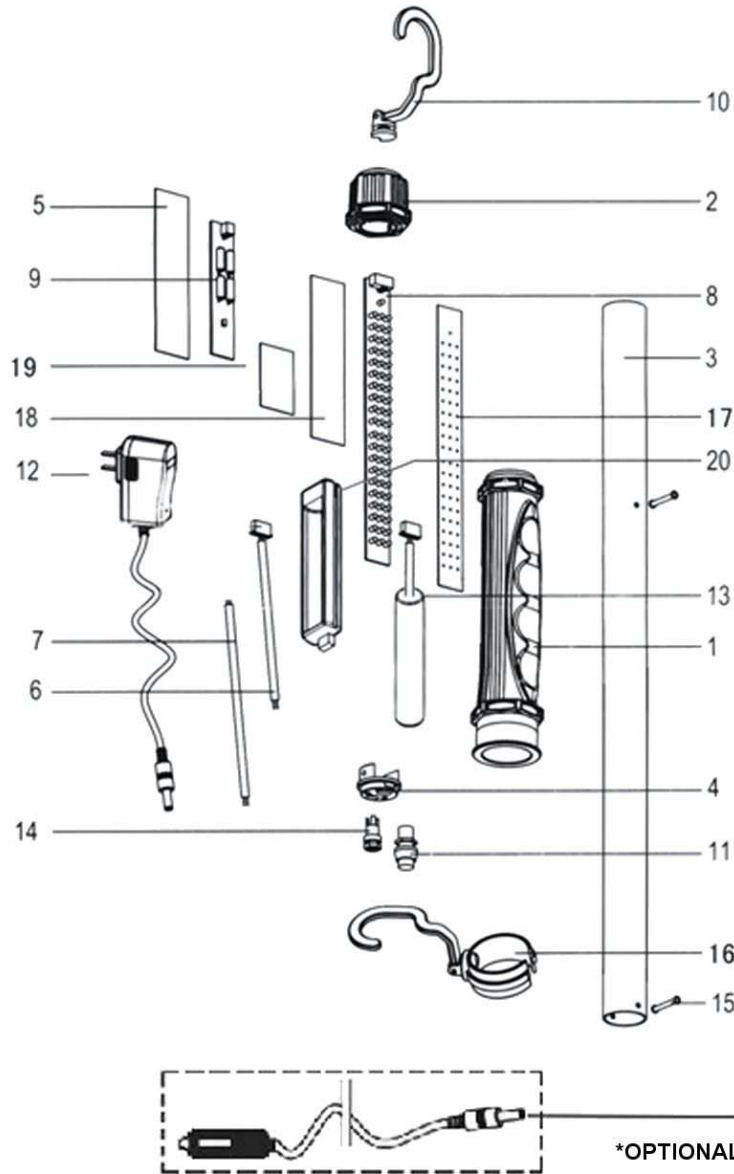
Your ATD Saber Li-Ion Worklight can be used when plugged into the AC adapter for recharging. It will not recharge while it is in use however.

The warnings, cautions, and instructions discussed in this instruction manual cannot cover all possible conditions and situations that may occur. It must be understood by the operator that common sense and caution are factors which cannot be built into this product, but must be supplied by the operator.



ATD-80136

(First Generation)



OPTIONAL - not included

ORDERING PART#	ITEM#	PART DESCRIPTION	ORDERING PART#	ITEM#	PART DESCRIPTION
PRT80133-01	1	HANDLE GRIP	PRT80133-12	12	AC CHARGER
PRT80133-02	2	TOP CAP	PRT80133-13	13	LI-ION BATTERY, 7.4V, 1400MAH
PRT80136-03	3	CLEAR TUBE	PRT80133-14	14	FEMALE PLUG
PRT80133-04	4	BASE	PRT80133-15	15	RIVET
PRT80133-05	5	INSULATION BOARD (50x20x2mm)	PRT80133-16	16	CLIP ON SWIVEL HOOK
PRT80133-06	6	3 LEAD CONNECTION WIRE	PRT80136-17	17	REFLECTIVE PANEL
PRT80133-07	7	CONNECTION WIRE	PRT80133-18	18	LED PCB PROTECTOR
PRT80136-08	8	60 LED PCB	PRT80133-19	19	INSULATION BOARD 20x10x2mm
PRT80133-09	9	PCB	PRT80133-20	20	BATTERY HOUSING
PRT80133-10	10	HOOK	ATD80131	21	OPTIONAL DC CHARGING CORD
PRT80133-11	11	ON OFF SWITCH			



ATD-80136 Instructions (Second Generation)

This light must be fully charged every 3 to 4 months whether used or not

Features and Specifications

- 7.4V 1400MAh Li-ion rechargeable battery - twice the life expectancy compared to regular rechargeable batteries.
- Cordless, 60 super bright LED's provide long, dependable service life.
- Shatterproof and shock resistant protective tube.
- Swivel hooks make this light easy to attach anywhere - horizontally or vertically.
- The ATD-80136 Saber Li-Ion Worklight provides an average runtime of 4 hours per charge.
- 9V 500mA AC to DC adaptor can be used with 110VAC power source.
- **OPTIONAL** DC adaptor (ATD-80131) can be used with your vehicles 12V power outlet.
- Red light on adaptor (indicates charging), green light on adaptor (indicated fully charged), blue light on led board (indicates low battery).
- Overcharge and over discharge protection.
- Automatically shuts off soon after low battery indicator lights up.

Charging Instructions

The battery is only 50% charged before shipping. Fully charge your ATD Saber Worklight before use.

Be sure your ATD Saber Li-Ion Worklight is turned off, as it will not charge while in use, and then plug the AC charging unit into the wall and into the bottom of your ATD Saber Li-Ion Worklight. The LED indicator on the wall charging unit will change from red to green when the ATD Saber Li-Ion Worklight is fully charged.

The blue indicator light on the LED board will come on when the battery is almost discharged, giving you a few minutes of light left before the light goes completely out. It will not fade out, it will simply turn off.

The ATD Saber Li-Ion Worklight will need to be recharged when the blue indicator light on the LED board comes on. Charging time for a full charge is approx 3 hours. Be sure to only use the AC adaptor (supplied) or the DC adaptor (optional) with the light. Use of any other 110VAC or 12VDC adaptor can cause battery damage.

The ATD Saber Li-Ion Worklight needs to be fully charged at least every 6 months to maintain the performance of battery.

Operating Environment

- The ambient temperature range for working is 14°F-122°F (-10°C-50°C). The ambient temperature range for charging is 32°F-104°F (0°C-40°C). Charging the battery at a lower or higher temperature range will damage the battery.
- Keep your ATD Saber Li-Ion Worklight away from heat sources.
- Keep your ATD Saber Li-Ion Worklight away from acids and alkalines.
- Avoid bumping or dropping your ATD Saber Li-Ion Worklight

LED board replacement instructions

- When repairing your ATD Saber Li-Ion Worklight, do not allow any metal to come in contact with the internal battery pack or the PC board and its components.
- Turn the ATD Saber Li-Ion Worklight off.
- Remove screw from lower end of handle tube assembly.
- Using needle nose pliers, pull the light assembly out of the handle tube assembly from the switch end.
- Carefully disconnect the wiring connector from the LED PC board, unscrew LED PC board from the rest of the light assembly and reconnect the new LED PC board.
- Assembly is the reverse of disassembly.

The ATD Saber Li-Ion Worklight is **NOT** waterproof, and is **NOT** intended to be used in showers, saunas, or any other potentially wet locations. Keep the ATD Saber Li-Ion Worklight away from sinks, tubs, showers, etc. Retrieving **ANY** electrical appliance when they fall into the water can be fatal.

The ATD Saber Li-Ion Worklight is to be used for general indoor lighting. It is **NOT** intended to be used in potentially hazardous locations such as near flammables or in explosive atmospheres.

Your ATD Saber Li-Ion Worklight has a built in automatic discharge shut off feature that prevents the battery from becoming fully discharged, thus extending the battery life.

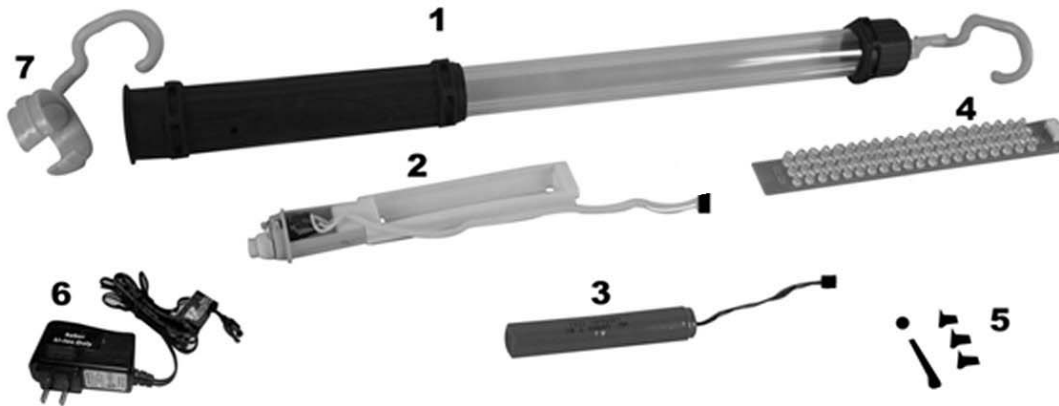
Your ATD Saber Li-Ion Worklight can be used when plugged into the AC adapter for recharging. It will not recharge while it is in use however.

The warnings, cautions, and instructions discussed in this instruction manual cannot cover all possible conditions and situations that may occur. It must be understood by the operator that common sense and caution are factors which cannot be built into this product, but must be supplied by the operator.



ATD-80136

(Second Generation)



ITEM#	ORDERING PART#	PART DESCRIPTION
1	PRT80136-01N	HANDLE, TUBE AND CAP ASSY
2	PRT80133-02N	ON/OFF ASSY
3	PRT80136-03N	LI-ION BATTERY, 7.4V, 1400MAH
4	PRT80136-04N	60 LED PCB ASSY
5	PRT80133-05N	RIVET SET(5PC)
6	PRT80133-12	AC CHARGER
7	PRT80133-16	CLIP ON SWIVEL HOOK
8	ATD80131	OPTIONAL DC CHARGING CORD